



**PN 10 - DN 400...2000**

KAT-A 2021

### Product characteristics and benefits

- With flange connection
- Control valve for end-of-line installation
- Cone valve consisting of body and cylindrical sleeve
- Umbrella-like tearing open of the water jet via jet guiding cone
- Annular flow cross section in each position
- Axially symmetric flow pattern
- Control with cylindrical sleeve
- Cavitation-free discharge in all control positions
- Very high discharge capacity
- Low actuating torque due to pressure balanced control sleeve and guide rails
- Adjustable sliding shoes (before and during operation)
- Special sealing between cylindrical sleeve and jacket pipe
- Double sealing system by metallic and soft sealing on downstream side
- Profile sealing ring replaceable without disassembling the valve from the pipeline
- Operation by two lateral stems
- High durability due to seat areas made of stainless steel

### Materials

- Body: Welded steel S355J2
- Seat ring: Stainless steel 1.4307
- Cylindrical sleeve: jacket pipe stainless steel 1.4307
- Sealing face: Stainless steel 1.4307
- Guiding rail: stainless steel 1.4307
- Sliding shoes: bronze CuSn12-C

### Corrosion protection

- Internally and externally epoxy coated

### Versions

- Standard version: maximum admissible operating pressure 100m water column (10 bar)
- Operating pressure above 100m water column (10 bar) possible upon request
- With handwheel
- With electric actuator
- With hydraulic actuator
- Bigger sizes available on request
- Special designs available on request
- With pipe hood available on request
- With venting equipment available on request

### Field of Application

- Bottom outlet in dams



### Tests and approvals

- Final inspection test according to EN 12266 (leakage rate A)

### Operation data

- Specify operating pressure when inquiring/ordering.:
  - Maximum flow rate and minimum inlet pressure
  - Minimum flow rate and maximum inlet pressure
  - Static pressure upstream of valve

### Note

For valve dimensioning the free VAG UseCAD® software is available on request.

For proper installation and safe operation please follow the installation and operation instructions:

KAT-B 2021

### Field of application

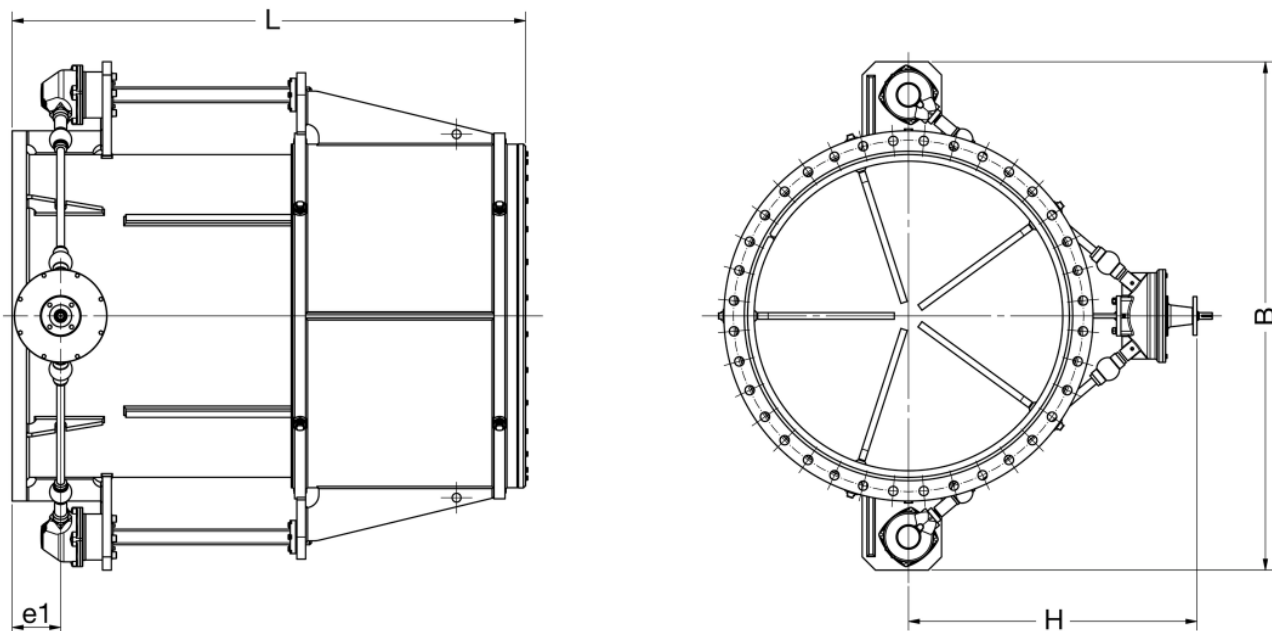
DN	PN	Maximum operating pressure [bar]	Maximum operating temperature for neutral liquids [°C]
400...2000	10	10	40

### Pressure test acc. to EN 12266

Test pressure body with water [bar]	Test pressure seat with water [bar]
15	11



## Drawing



## Technical data

### PN 10

DN		400	450	500	600	700	800	900	1000	1100	1200	1300	1400
B	[mm]	1040	1110	1100	1240	1440	1480	1860	1800	2040	2140	2340	2500
H	[mm]	637	632	667	707	827	907	877	1002	1082	1162	1162	1357
L	[mm]	1026	1110	1190	1335	1480	1615	1745	1870	1990	2100	2210	2230
e1	[mm]	220	220	220	250	250	330	300	300	300	250	300	350
Weight approx.	[kg]	450.00	540.00	600.00	1100.00	1400.00	1700.00	1650.00	2500.00	2800.00	4000.00	4600.00	4800.00

### PN 10

DN		1500	1600	1800	2000
B	[mm]	2400	2670	3200	3210
H	[mm]	1504	1482	1657	1967
L	[mm]	2400	2492	2650	2786
e1	[mm]	270	300	300	500
Weight approx.	[kg]	6000.00	6800.00	9000.00	10500.00