



PN 16 - DN 80...100

KAT-A 5210-MMN

Product characteristics and benefits

- Fitting in accordance with EN 546
- With socket connection on the side and upper socket connection
- Lateral connection to connect to VAG BAIO®plus System parts or pipe spigot ends
- Double function socket type for internal and external bayonet locking acc. DIN 28603
- Corrosion-resistant due to boltless connection
- Pull-out proof due to positive connection and friction-locked connection
- Short assembly times due to easy assembly or disassembly
- Stress-free laying due to flexibility of inclination up to +/- 3°
- Variable use for ductile cast iron pipes or plastic pipes due to easy replacement of sealing ring

Materials

- Fitting: Ductile iron EN-GJS-400-15 (GGG-40)

Corrosion protection

- Internally and externally epoxy coated acc. to GSK guidelines

Versions

- Standard version as described
- With three horizontal house connections G 1 ½"
- With TYTON sealing rings (for ductile cast iron pipes)
- With GKS sealing rings (for PVC and PE-HD pipes)

Field of application

- Underground installation
- Chamber installation



Tests and approvals

- DVGW tested and registered

Note

For proper installation and safe operation please follow the installation and operation instructions:
KAT-B 5210

Field of application

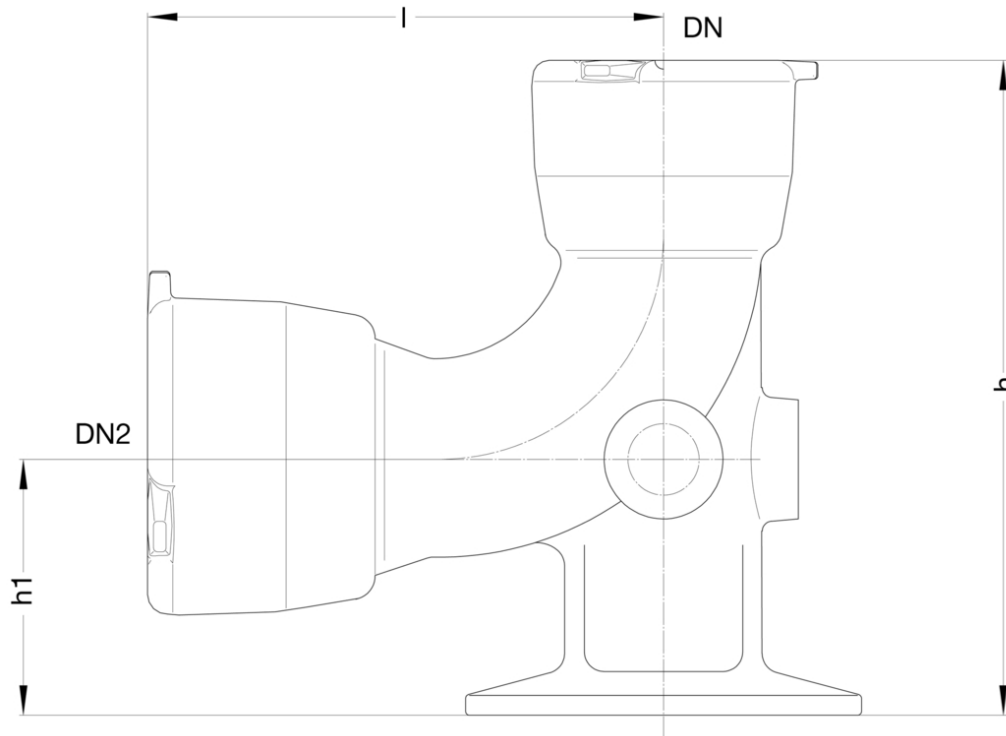
DN	PN	Maximum operating pressure [bar]	Maximum operating temperature for neutral liquids [°C]
80...100	16	16	50

Pressure test to EN 545

Test pressure with water [bar]
25



Drawing



Technical data

PN 16

DN	80	100
DN2	80	80
h	[mm] 300	300
h1	[mm] 120	120
l	[mm] 215	260
Weight approx.	[kg] 16.00	17.00
Volume approx.	[m ³] 0.01	0.01