



**PN 16 - DN 80...300**

KAT-A 5210-MMB

**Product characteristics and benefits**

- Fitting in accordance with EN 546
- With 3 socket connections
- For branches
- For connection to VAG BAIO®*plus* System parts
- For connection to pipes with spigot ends
- Double function socket type for internal and external bayonet locking acc. DIN 28603
- Corrosion-resistant due to boltless connection
- Pull-out proof due to positive connection and friction-locked connection
- Short assembly times due to easy assembly or disassembly
- Stress-free laying due to flexibility of inclination up to +/- 3°
- Variable use for ductile cast iron pipes or plastic pipes due to easy replacement of sealing ring

**Materials**

- Fitting: Ductile iron EN-GJS-400-15 (GGG-40)

**Corrosion protection**

- Internally and externally epoxy coated acc. to GSK guidelines

**Versions**

- Standard version as described
- With TYTON sealing rings (for ductile cast iron pipes)
- With GKS sealing rings (for PVC and PE-HD pipes)
- Reduced diameter of the branch connection

**Field of application**

- Underground installation
- Chamber installation



**Tests and approvals**

- DVGW tested and registered

**Note**

For proper installation and safe operation please follow the installation and operation instructions:  
KAT-B 5210

**Operating conditions**

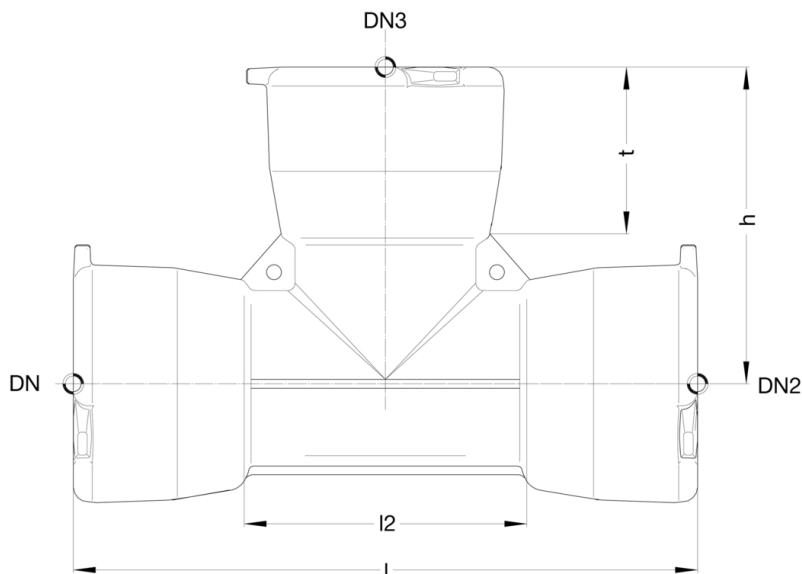
DN	PN	Maximum operating pressure [bar]	Maximum operating temperature for medium [°C]
80...300	16	16	50

**Pressure test to EN 545**

Test pressure with water [bar]
25



Drawing



Technical data

PN 16

DN	80	100	100	125	125	125	150	150	150	150	200	200
DN2	80	100	100	125	125	125	150	150	150	150	200	200
DN3	80	80	100	80	100	125	80	100	125	150	80	100
h [mm]	190	200	213	210	230	230	225	235	240	250	250	265
l [mm]	380	410	420	410	435	465	415	415	450	500	460	485
l2 [mm]	170	172	182	170	195	227	169	169	204	254	174	199
t [mm]	105	111	119	111	119	119	105	119	120	123	105	119
Weight approx. [kg]	13.00	15.50	18.50	19.00	20.00	23.00	21.00	22.50	24.50	27.00	32.00	34.00
Volume approx. [m <sup>3</sup> ]	0.01	0.01	0.01	0.01	0.02	0.02	0.02	0.02	0.02	0.03	0.04	0.04

PN 16

DN	200	200	200	250	250	250	250	250	300	300	300	300
DN2	200	200	200	250	250	250	250	250	300	300	300	300
DN3	125	150	200	80	100	150	200	250	80	100	150	200
h [mm]	280	280	300	277	303	314	339	376	328	328	339	379
l [mm]	510	540	600	552	572	641	694	747	614	614	678	738
l2 [mm]	224	254	314	220	240	309	330	415	250	250	314	374
t [mm]	120	123	143	105	120	123	123	166	105	120	123	143
Weight approx. [kg]	37.00	38.50	46.00	48.00	49.00	-	-	73.00	65.00	65.00	-	-
Volume approx. [m <sup>3</sup> ]	0.04	0.04	0.05	0.06	0.06	0.07	0.08	0.09	0.09	0.09	0.1	0.12

PN 16

DN	300
DN2	300
DN3	300
h [mm]	425
l [mm]	844
l2 [mm]	480
t [mm]	182
Weight approx. [kg]	101.00
Volume approx. [m <sup>3</sup> ]	25